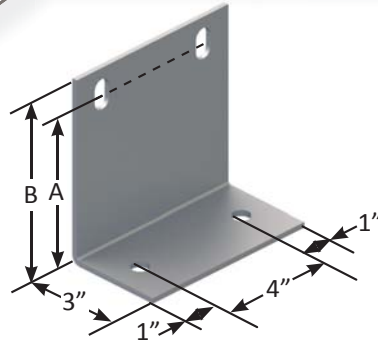


ZEE'S & CEE'S

Accessories and Specifications

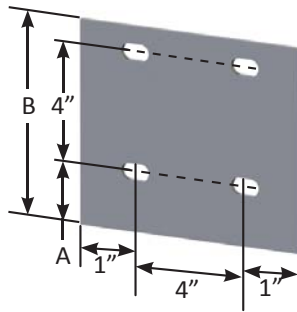
**CZ1B - 6, 8, 10
ZEE / CEE CLIP**
(Bolt-On Inbound)



Member Size	Clip Mark	A DIM.	B DIM.	Lbs. Each
6"	ZC1B - 6"	5"	5-7/8"	1.48
8"	ZC1B - 8"	6"	6-7/8"	1.65
10"	ZC1B - 10"	7"	7-7/8"	1.81

Clips are made from 97 mil (12 ga).

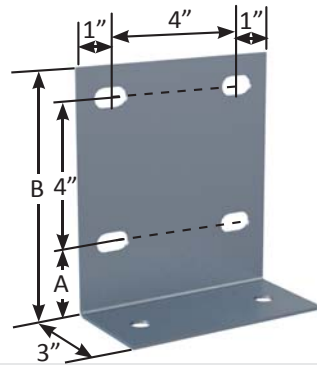
**Z2W - 6, 8, 10
ZEE CLIP**
(Weld-On Outbound)



Member Size	Clip Mark	A DIM.	B DIM.	Lbs. Each
6"	Z2W - 6"	1"	5-7/8"	0.98
8"	Z2W - 8"	2"	6-7/8"	1.15
10"	Z2W - 10"	3"	7-7/8"	1.31

Clips are made from 97 mil (12 ga).

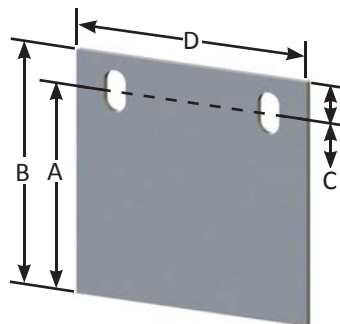
**Z2B - 6, 8, 10
ZEE CLIP**
(Bolt-On Outbound)



Member Size	Clip Mark	A DIM.	B DIM.	Lbs. Each
6"	Z2B - 6"	1"	5-7/8"	1.48
8"	Z2B - 8"	2"	6-7/8"	1.65
10"	Z2B - 10"	3"	7-7/8"	1.81

Clips are made from 97 mil (12 ga).

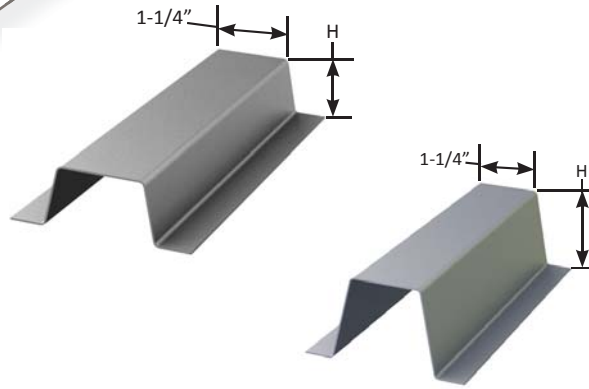
**CZ1W CEE / ZEE
CLIP**
(Weld-On Inbound)



Due to various sizes & shapes of structural columns & rafters; "A", "B", "C", & "D" dimensions for clip ZC1W must be provided by the customer.

Clips are made from 97 mil (12 ga).

Hat Channel



Part No.	Flange (H) Height	lbs/ft
087F50-54	7/8"	0.66
150F50-54	1-1/2"	1.00

Hat Channel is made from 54 mil (16 ga).

Assembly Products



Bolt and Nut Assembly

- A307 1/2" x 1-1/4"
- A325 1/2" x 1-1/4"

Note: Additional Sizes Available
Bolts Sold With Nuts and Washers



Steel Strapping

- 2" x 100' 16 ga.
- 3" X 100' 16 ga.

Other Quality SCAFCO Products

SCAFCO is a direct supplier and manufacturer of structural sections, providing an economical and durable answer to building needs.

- Length from 6' up to 50' available.
- Partial cuts under 6' available upon request.
- Full range of sizes at competitive prices to optimize design flexibility.
- A wide variety of hole sizes & patterns available.
- Zee sections can be nested, this allows overlap so a continue beam can be built and utilized
- In line marking available for all roll formed members.
- Eave struts also available from 6' to 50' with flanges from 2 1/2" to 5".
- Sizes not listed are available, contact your local sales office for details.

SCAFCO also manufactures and provides a complete line of steel framing products and accessories.

- Large Inventories of Studs & Track
- Specialty Products and Custom Brake Shapes
- Corrosion Resistant G40, G60, G90, G115, G140, G185, G210 Galvanized Coating
- Priceless Header & Kwik-Jamb System
- Clips, Connectors, & Framing Accessories
- Available Mil Thickness: 18 mil through 220 mil
- Multi-Floor Stocking, Product Labeling and Packaging
- Full Stock of Tools, Fasteners and Accessories
- 3rd Party Certified Products
- Complies With 2009 International Building Code (IBC)

Spokane, WA
509.535.5637

Seattle, WA
425.488.7577

Yakima, WA
509.452.6777

Tacoma, WA
253.840.4455

Tri-Cities, WA
509.542.1411

Boise, ID
208.323.4901

Billings, MT
406.248.2600

Missoula, MT
406.542.7004

Salem, OR
503.371.8033

Eugene, OR
541.345.8899

Portland, OR
503.282.1750

Sacramento, CA
916.624.7700

Hayward, CA
510.780.9480

Anchorage, AK
907.868.1100

San Jose, CA
408.660.2093