

0 lb/ft Lateral Load							
Section	3'	4'	5'	6'	8'	10'	12'
362HDR200-33	276	155 ⁷	99 ⁶	69 ⁶	38 ³	24 ³	17 ²
362HDR200-43	393	221 ⁷	141 ⁶	98 ⁶	55 ³	35 ³	24 ²
362HDR250-43	579	325	208 ⁶	144 ⁶	81 ⁶	52 ³	36 ³
362HDR300-54	1479 ⁷	831 ⁶	532 ⁶	369 ³	207 ³	133 ²	92 ²
362HDR350-54	1902	1069 ⁶	684 ⁶	475 ⁶	267 ³	171 ²	118 ²
362HDR300-68	2042 ⁷	1148 ⁶	735 ⁶	510 ³	287 ³	183 ²	127 ²
362HDR450-68	3771	2121 ⁷	1357 ⁶	942 ⁶	530 ³	339 ³	235 ²
400HDR200-33	283	159 ⁷	102 ⁶	70 ⁶	39 ³	25 ³	17 ²
400HDR200-43	406	228 ⁷	146 ⁶	101 ⁶	57 ³	36 ³	25 ²
400HDR250-43	592	333	213 ⁶	148 ⁶	83 ⁶	53 ³	37 ³
400HDR300-54	1529 ⁷	860 ⁶	550 ⁶	382 ³	215 ³	137 ²	95 ²
400HDR350-54	1962	1104 ⁶	706 ⁶	490 ⁶	276 ³	176 ²	122 ²
400HDR300-68	2093 ⁷	1177 ⁶	753 ⁶	523 ³	294 ³	188 ²	130 ²
400HDR450-68	3880	2182 ⁷	1396 ⁶	970 ⁶	545 ³	349 ³	242 ²
600HDR200-33	310	174	111 ⁷	77 ⁶	43 ⁶	27 ³	19 ³
600HDR200-43	445	250	160 ⁶	111 ⁶	62 ⁶	40 ³	27 ³
600HDR250-43	641	360	230 ⁷	160 ⁶	90 ⁶	57 ³	40 ³
600HDR300-54	1650	928 ⁶	594 ⁶	412 ⁶	232 ³	148 ²	103 ²
600HDR350-54	2127	1196 ⁷	765 ⁶	531 ⁶	299 ³	191 ³	132 ²
600HDR300-68	2255	1268 ⁶	812 ⁶	563 ⁶	317 ³	203 ²	140 ²
600HDR450-68	4316	2428 ⁷	1553 ⁶	1079 ⁶	607 ³	388 ³	269 ²
800HDR200-43	466	262	167 ⁷	116 ⁶	65 ⁶	41 ³	29 ³
800HDR250-43	669	376	240 ⁷	167 ⁶	94 ⁶	60 ³	41 ³
800HDR300-54	1712	963 ⁷	616 ⁶	428 ⁶	240 ³	154 ³	107 ²
800HDR350-54	2202	1238 ⁷	792 ⁶	550 ⁶	309 ³	198 ³	137 ²
800HDR300-68	2340	1316 ⁷	842 ⁶	585 ⁶	329 ³	210 ³	146 ²
800HDR450-68	4481	2520	1613 ⁷	1120 ⁶	630 ⁶	403 ³	280 ³

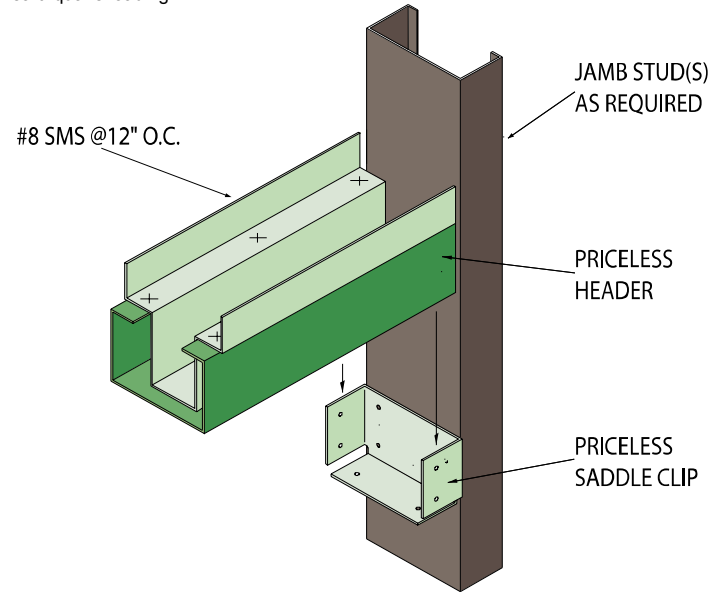
25 lb/ft Lateral Load							
Section	3'	4'	5'	6'	8'	10'	12'
362HDR200-33	267	146 ⁷	90 ⁶	59 ⁶	29 ⁶	15 ^{6e}	7 ^{6d}
362HDR200-43	383	211 ⁷	131 ⁶	88 ⁶	45 ⁶	25 ⁶	14 ^{6d}
362HDR250-43	566	312	195 ⁷	131 ⁶	68 ⁶	38 ⁶	22 ^{6d}
362HDR300-54	1462 ⁷	814 ⁶	515 ⁶	352 ⁶	190 ³	116 ²	75 ²
362HDR350-54	1880	1048 ⁶	663 ⁶	454 ⁶	245 ³	149 ³	97 ²
362HDR300-68	2023 ⁷	1130 ⁶	716 ⁶	492 ³	268 ³	165 ²	109 ²
362HDR450-68	3738	2088 ⁷	1325 ⁶	910 ⁶	497 ³	307 ³	203 ³
400HDR200-33	275	151 ⁷	93 ⁶	62 ⁶	31 ⁶	17 ⁶	9 ^{6d}
400HDR200-43	397	219 ⁷	137 ⁶	92 ⁶	48 ⁶	28 ³	16 ^{3e}
400HDR250-43	580	321	201 ⁷	136 ⁶	71 ⁶	41 ⁶	25 ⁶
400HDR300-54	1514 ⁷	845 ⁶	535 ⁶	367 ⁶	200 ³	122 ²	80 ²
400HDR350-54	1943	1085 ⁶	687 ⁶	471 ⁶	257 ³	157 ³	103 ²
400HDR300-68	2077 ⁷	1161 ⁶	737 ⁶	507 ³	278 ³	172 ²	114 ²
400HDR450-68	3852	2154 ⁷	1368 ⁶	941 ⁶	517 ³	320 ³	214 ³
600HDR200-33	305	169	106 ⁷	72 ⁶	38 ⁶	22 ⁶	14 ³
600HDR200-43	440	245	155 ⁷	106 ⁶	57 ⁶	35 ³	22 ³
600HDR250-43	634	354	224 ⁷	153 ⁶	83 ⁶	51 ⁶	33 ³
600HDR300-54	1641	919 ⁶	585 ⁶	404 ⁶	223 ³	140 ³	94 ²
600HDR350-54	2116	1185 ⁷	755 ⁶	521 ⁶	288 ³	180 ³	122 ²
600HDR300-68	2246	1259 ⁶	802 ⁶	554 ⁶	308 ³	193 ³	131 ²
600HDR450-68	4300	2411	1537 ⁶	1062 ⁶	590 ⁶	372 ³	253 ³
800HDR200-43	462	258	164 ⁷	113 ⁶	62 ⁶	38 ³	25 ³
800HDR250-43	664	371	236 ⁷	162 ⁷	89 ⁶	55 ⁶	37 ³
800HDR300-54	1706	957 ⁷	610 ⁶	422 ⁶	234 ³	148 ³	101 ²
800HDR350-54	2194	1231 ⁷	785 ⁶	542 ⁶	302 ³	190 ³	130 ²
800HDR300-68	2334	1310 ⁷	836 ⁶	579 ⁶	323 ³	204 ³	140 ²
800HDR450-68	4470	2509	1602 ⁷	1109 ⁶	619 ⁶	392 ³	269 ³

Vertical Deflection Limit Notes

- 1 Deflection is between L/0 & L/119
 - 2 Deflection is between L/120 & L/239
 - 3 Deflection is between L/240 & L/359
 - 6 Deflection is between L/360 & L/599
 - 7 Deflection is between L/600 & L/720
- If not noted, deflection is less than L/720

Header Load Table Notes

1. Allowable Loads based on individual components combined flexural stress, deflection and shear
2. Load values based on header strength only; connection to jamb may require extra design consideration
3. Strength checks do not include the 0.75 factor (1/3 stress increase) for wind / earthquake loading



50 lb/ft Lateral Load							
Section	3'	4'	5'	6'	8'	10'	12'
362HDR200-33	257	136	80 ⁷	50 ⁷	19 ^{7e}	5 ^c	
362HDR200-43	374	201	122 ⁷	78 ⁶	35 ⁶	15 ^{7d}	5 ^c
362HDR250-43	552	299	182 ⁷	118 ⁶	55 ⁶	25 ^{7d}	9 ^c
362HDR300-54	1445 ⁷	797 ⁶	498 ⁶	335 ⁶	173 ³	99 ^{3e}	58 ^{3d}
362HDR350-54	1859	1026 ⁶	641 ⁶	432 ⁶	224 ³	128 ^{3e}	75 ^{3d}
362HDR300-68	2005 ⁷	1112 ⁶	698 ⁶	473 ⁶	250 ³	147 ³	91 ^{2d}
362HDR450-68	3706	2056 ⁷	1292 ⁶	878 ⁶	465 ⁶	274 ³	171 ^{3d}
400HDR200-33	267	142	85 ⁷	54 ⁶	23 ⁶	8 ^d	
400HDR200-43	388	211	129 ⁷	84 ⁶	40 ⁶	19 ^{6d}	8 ^{7c}
400HDR250-43	569	310	190 ⁷	125 ⁶	60 ⁶	30 ^{6e}	13 ^{7d}
400HDR300-54	1499 ⁷	830 ⁶	520 ⁶	352 ⁶	185 ³	107 ³	65 ^{3d}
400HDR350-54	1925	1066 ⁶	668 ⁶	452 ⁶	238 ³	138 ³	84 ^{3d}
400HDR300-68	2061 ⁷	1145 ⁶	721 ⁶	491 ⁶	262 ³	156 ³	98 ^{2e}
400HDR450-68	3823	2126 ⁷	1340 ⁶	913 ⁶	489 ⁶	292 ³	186 ³
600HDR200-33	300	164	101 ⁷	67 ⁶	33 ⁶	17 ⁶	9 ^{6e}
600HDR200-43	435	240	150 ⁷	101 ⁶	52 ⁶	30 ⁶	18 ⁶
600HDR250-43	627	347	217 ⁷	147 ⁶	76 ⁶	44 ⁶	26 ⁶
600HDR300-54	1633	911 ⁶	577 ⁶	395 ⁶	215 ³	131 ³	86 ²
600HDR350-54	2105	1175 ⁷	744 ⁶	510 ⁶	277 ³	169 ³	111 ³
600HDR300-68	2237	1250 ⁶	793 ⁶	545 ⁶	298 ³	184 ³	122 ²
600HDR450-68	4283	2395	1521 ⁶	1046 ⁶	574 ⁶	355 ³	236 ³
800HDR200-43	459	255	161 ⁷	109 ⁶	58 ⁶	35 ⁶	22 ³
800HDR250-43	659	367	231	158 ⁷	84 ⁶	51 ⁶	32 ⁶
800HDR300-54	1700	951 ⁷	604 ⁶	416 ⁶	229 ³	142 ³	95 ²
800HDR350-54	2187	1223 ⁷	777 ⁶	535 ⁶	294 ³	182 ³	122 ³
800HDR300-68	2328	1304 ⁷	830 ⁶	572 ⁶	316 ³	198 ³	133 ²
800HDR450-68	4459	2498	1591 ⁷	1098 ⁶	608 ⁶	381 ³	258 ³

Lateral Deflection Limit Notes

- a Deflection is between L/0 & L/119
 - b Deflection is between L/120 & L/239
 - c Deflection is between L/240 & L/359
 - d Deflection is between L/360 & L/599
 - e Deflection is between L/600 & L/720
- If not noted, deflection is less than L/720

Priceless Header

Allowable Vertical Loads (lb/ft)



75 lb/ft Lateral Load							
Section	3'	4'	5'	6'	8'	10'	12'
362HDR200-33	248	126	70	40	10 ^d		
362HDR200-43	364	192	112 ⁷	69 ⁷	26 ^{7d}	6 ^c	
362HDR250-43	539	286	168 ⁷	105 ⁷	41 ^{7e}	12 ^c	
362HDR300-54	1428 ⁷	780 ⁶	481 ⁶	318 ⁶	156 ³	82 ^{3d}	41 ^{6c}
362HDR350-54	1837	1005 ⁶	620 ⁶	411 ⁶	202 ⁶	106 ^{6d}	54 ^{6c}
362HDR300-68	1987 ⁷	1093 ⁶	680 ⁶	455 ⁶	232 ³	128 ^{3d}	72 ^{3c}
362HDR450-68	3674	2024 ⁷	1260 ⁶	845 ⁶	433 ⁶	242 ^{3e}	138 ^{6d}
400HDR200-33	258	134	77	45 ⁷	14 ^d		
400HDR200-43	380	202	120 ⁷	75 ⁷	31 ⁷	10 ^d	
400HDR250-43	557	298	178 ⁷	113 ⁷	48 ⁷	18 ^d	2 ^c
400HDR300-54	1484	815 ⁶	505 ⁶	337 ⁶	170 ³	92 ^{3d}	50 ^{3c}
400HDR350-54	1906	1047 ⁷	649 ⁶	434 ⁶	219 ⁶	119 ^{3e}	66 ^{3d}
400HDR300-68	2045 ⁷	1129 ⁶	705 ⁶	475 ⁶	246 ³	140 ^{3e}	82 ^{3d}
400HDR450-68	3795	2097 ⁷	1312 ⁶	885 ⁶	460 ⁶	264 ³	157 ^{3d}
600HDR200-33	295	159	96 ⁷	62 ⁷	28 ⁶	13 ⁷	4 ^d
600HDR200-43	430	235	145 ⁷	96 ⁶	47 ⁶	25 ⁶	13 ^{6e}
600HDR250-43	621	340	210 ⁷	140 ⁷	70 ⁶	37 ⁶	20 ^{6e}
600HDR300-54	1624	902 ⁷	568 ⁶	387 ⁶	206 ³	123 ³	77 ³
600HDR350-54	2095	1164 ⁷	733 ⁶	499 ⁶	266 ³	159 ³	100 ³
600HDR300-68	2228	1241 ⁶	784 ⁶	536 ⁶	289 ³	175 ³	113 ²
600HDR450-68	4267	2378	1504 ⁶	1029 ⁶	557 ⁶	339 ³	220 ³
800HDR200-43	456	252	157 ⁷	106 ⁶	55 ⁶	31 ⁶	19 ⁶
800HDR250-43	655	362	227	153 ⁷	80 ⁶	46 ⁶	28 ⁶
800HDR300-54	1694	945 ⁷	598 ⁶	410 ⁶	223 ³	136 ³	89 ³
800HDR350-54	2179	1215 ⁷	769 ⁶	527 ⁶	286 ⁶	175 ³	114 ³
800HDR300-68	2322	1298 ⁷	824 ⁶	566 ⁶	310 ³	192 ³	127 ²
800HDR450-68	4448	2487	1580 ⁷	1087 ⁶	597 ⁶	370 ³	247 ³

100 lb/ft Lateral Load							
Section	3'	4'	5'	6'	8'	10'	12'
362HDR200-33	238	117	61	30			
362HDR200-43	354	182	102	59	16 ^d		
362HDR250-43	526	272	155	91	28 ^d		
362HDR300-54	1411 ⁷	763 ⁶	464 ⁶	301 ⁶	139 ^{6e}	65 ^{6c}	24 ^{7b}
362HDR350-54	1816	983 ⁷	598 ⁶	389 ⁶	181 ^{6e}	85 ^{6d}	32 ^{7b}
362HDR300-68	1968 ⁷	1075 ⁶	661 ⁶	437 ⁶	213 ³	110 ^{3d}	54 ^{6c}
362HDR450-68	3641	1991 ⁷	1228 ⁶	813 ⁶	401 ⁶	210 ^{6d}	106 ^{6c}
400HDR200-33	250	126	68	37	6 ^d		
400HDR200-43	371	194	112 ⁷	67 ⁷	22 ^d	2 ^c	
400HDR250-43	546	287	167	101	37 ^e	7 ^c	
400HDR300-54	1469	800 ⁶	490 ⁶	322 ⁶	155 ⁶	77 ^{6d}	35 ^{6c}
400HDR350-54	1887	1028 ⁷	631 ⁶	415 ⁶	200 ⁶	101 ^{6d}	47 ^{6c}
400HDR300-68	2029 ⁷	1113 ⁶	689 ⁶	459 ⁶	230 ³	124 ^{3d}	66 ^{3c}
400HDR450-68	3767	2069 ⁷	1283 ⁶	857 ⁶	432 ⁶	236 ^{6e}	129 ^{6d}
600HDR200-33	290	154	91	57 ⁷	23 ⁷	8 ^d	
600HDR200-43	425	230	140 ⁷	91 ⁷	43 ⁶	20 ⁶	8 ^d
600HDR250-43	614	334	204	133 ⁷	63 ⁶	31 ⁷	13 ^d
600HDR300-54	1616	894 ⁷	560 ⁶	378 ⁶	198 ³	114 ³	69 ^{3e}
600HDR350-54	2084	1153 ⁷	722 ⁶	488 ⁶	256 ⁶	148 ³	89 ³
600HDR300-68	2219	1232 ⁶	775 ⁶	527 ⁶	280 ³	166 ³	104 ³
600HDR450-68	4250	2362	1488 ⁶	1013 ⁶	541 ⁶	322 ³	203 ³
800HDR200-43	452	248	154 ⁷	103 ⁷	52 ⁶	28 ⁶	15 ⁶
800HDR250-43	650	358	222	148 ⁷	75 ⁶	41 ⁶	23 ⁶
800HDR300-54	1688	939 ⁷	592 ⁶	404 ⁶	217 ³	130 ³	83 ³
800HDR350-54	2171	1208 ⁷	762 ⁶	520 ⁶	279 ⁶	167 ³	107 ³
800HDR300-68	2316	1292 ⁷	818 ⁶	560 ⁶	304 ³	186 ³	121 ³
800HDR450-68	4437	2476	1569 ⁷	1076 ⁶	586 ⁶	359 ³	236 ³

150 lb/ft Lateral Load							
Section	3'	4'	5'	6'	8'	10'	12'
362HDR200-33	219	98	42	11 ^d			
362HDR200-43	335	163	83	39 ^e			
362HDR250-43	499	246	129	65	2 ^c		
362HDR300-54	1377	729 ⁶	430 ⁶	267 ⁶	105 ^{6d}	31 ^b	
362HDR350-54	1773	940 ⁷	555 ⁶	346 ⁶	138 ^{6d}	42 ^b	
362HDR300-68	1932 ⁷	1038 ⁶	625 ⁶	400 ⁶	177 ^{6d}	74 ^{6c}	17 ^b
362HDR450-68	3577	1927 ⁷	1163 ⁶	748 ⁶	336 ^{6e}	145 ^{6c}	41 ^b
400HDR200-33	233	109	51	20 ^e			
400HDR200-43	354	177	95	50	5 ^d		
400HDR250-43	523	264	144	78	14 ^d		
400HDR300-54	1439	770 ⁶	460 ⁶	292 ⁶	125 ^{6d}	47 ^{7c}	5 ^b
400HDR350-54	1849	990 ⁷	593 ⁶	377 ⁶	162 ^{6d}	63 ^{7c}	9 ^b
400HDR300-68	1997 ⁷	1081 ⁶	657 ⁶	427 ⁶	198 ^{6e}	92 ^{6d}	34 ^{7b}
400HDR450-68	3710	2013 ⁷	1227 ⁶	800 ⁶	376 ⁶	179 ^{6d}	73 ^c
600HDR200-33	280	144	81	47	13		
600HDR200-43	415	221	130	81 ⁷	33 ⁷	10 ^d	
600HDR250-43	601	321	191	120	50	18 ^d	
600HDR300-54	1599	877 ⁷	543 ⁶	361 ⁶	181 ⁶	97 ³	52 ^{6d}
600HDR350-54	2062	1132 ⁷	701 ⁶	467 ⁶	234 ⁶	126 ⁶	68 ^{6d}
600HDR300-68	2200	1213 ⁶	757 ⁶	508 ⁶	262 ³	148 ³	85 ^{3d}
600HDR450-68	4217	2329	1455 ⁷	980 ⁶	508 ⁶	289 ⁶	170 ^{6e}
800HDR200-43	446	242	147	96 ⁷	45 ⁶	21 ⁷	9 ^e
800HDR250-43	641	348	213	139 ⁷	66 ⁷	32 ⁷	14 ^e
800HDR300-54	1677	927 ⁷	581 ⁶	392 ⁶	205 ⁶	118 ³	71 ³
800HDR350-54	2156	1193 ⁷	747 ⁶	504 ⁶	263 ⁶	152 ³	91 ³
800HDR300-68	2303	1279 ⁷	805 ⁶	548 ⁶	292 ³	173 ³	109 ³
800HDR450-68	4415	2454	1547 ⁷	1054 ⁶	564 ⁶	337 ⁶	214 ³

200 lb/ft Lateral Load							
Section	3'	4'	5'	6'	8'	10'	12'
362HDR200-33	200	78	22 ^e				
362HDR200-43	315	143	63	20 ^d			
362HDR250-43	473	220	102	39 ^d			
362HDR300-54	1342	695 ⁷	396 ⁶	233 ⁶	71 ^c		
362HDR350-54	1730	897 ⁷	512 ⁶	303 ⁶	95 ^d		
362HDR300-68	1895	1002 ⁶	588 ⁶	364 ⁶	140 ^{6d}	37 ^b	
362HDR450-68	3512	1862	1099 ⁷	684 ⁶	271 ^{7d}	80 ^c	
400HDR200-33	216	92	35	3 ^d			
400HDR200-43	337	160	77	33 ^e			
400HDR250-43	500	240	120	55			
400HDR300-54	1409	740 ⁷	431 ⁶	262 ⁶	95 ^{6d}	18 ^b	
400HDR350-54	1811	952 ⁷	555 ⁶	339 ⁶	124 ^{7d}	25 ^b	
400HDR300-68	1965	1049 ⁶	625 ⁶	395 ⁶	166 ^{6d}	60 ^{7c}	2 ^b
400HDR450-68	3654	1956	1170 ⁷	744 ⁶	319 ^{6e}	123 ^c	16 ^b
600HDR200-33	270	134	71	37	3 ^d		
600HDR200-43	405	211	121	72	23		
600HDR250-43	588	307	177	107	37	4 ^d	
600HDR300-54	1582	860 ⁷	526 ⁶	344 ⁶	164 ⁶	80 ^{6d}	35 ^{6d}
600HDR350-54	2041	1110 ⁷	679 ⁶	445 ⁶	212 ⁶	105 ^{6e}	46 ^{7d}
600HDR300-68	2182	1195 ⁷	738 ⁶	490 ⁶	243 ⁶	129 ³	67 ^{6d}
600HDR450-68	4184	2296	1422 ⁷	947 ⁶	475 ⁶	256 ⁶	138 ^{6d}
800HDR200-43	439	235	141	89 ⁷	38 ⁷	15	2 ^d
800HDR250-43	632	339	204	130	57	23	5 ^d
800HDR300-54	1665	916 ⁷	569 ⁶	381 ⁶	193 ⁶	107 ⁶	59 ^{6e}
800HDR350-54	2141	1177 ⁷	731 ⁶	489 ⁶	248 ⁶	137 ⁶	76 ⁶
800HDR300-68	2291	1267 ⁷	793 ⁶	535 ⁶	279 ⁶	161 ³	96 ³
800HDR450-68	4393	2433	1525 ⁷	1032 ⁶	542 ⁶	315 ⁶	192 ⁶

Vertical Deflection Limit Notes

- 1 Deflection is between L/0 & L/119
- 2 Deflection is between L/120 & L/239
- 3 Deflection is between L/240 & L/359
- 6 Deflection is between L/360 & L/599
- 7 Deflection is between L/600 & L/720
- If not noted, deflection is less than L/720

Lateral Deflection Limit Notes

- a Deflection is between L/0 & L/119
- b Deflection is between L/120 & L/239
- c Deflection is between L/240 & L/359
- d Deflection is between L/360 & L/599
- e Deflection is between L/600 & L/720
- If not noted, deflection is less than L/720

300 lb/ft Lateral Load							
Section	3'	4'	5'	6'	8'	10'	12'
362HDR200-33	161	40					
362HDR200-43	276	104	24 ^d				
362HDR250-43	420	167	49 ^e				
362HDR300-54	1274	627 ⁷	328 ⁷	165 ^d	3 ^b		
362HDR350-54	1644	811	426 ⁷	217 ^d	9 ^b		
362HDR300-68	1822	929 ⁷	515 ⁶	291 ^{6e}	67 ^c		
362HDR450-68	3383	1733	969 ⁷	554	142 ^c		
400HDR200-33	183	59	1 ^d				
400HDR200-43	303	126	43				
400HDR250-43	453	194	74	9 ^d			
400HDR300-54	1350	680 ⁷	371 ⁷	202 ^{7e}	35 ^c		
400HDR350-54	1736	877	479 ⁷	264 ^{7e}	49 ^c		
400HDR300-68	1901	985 ⁷	561 ⁶	331 ⁶	102 ^d		
400HDR450-68	3541	1843	1057 ⁷	631 ⁷	206 ^d	10 ^b	
600HDR200-33	250	114	52	17			
600HDR200-43	386	191	101	52	3 ^d		
600HDR250-43	561	281	151	81	10 ^d		
600HDR300-54	1548	826 ⁷	492 ⁶	310 ⁶	130 ⁶	46 ^d	1 ^b
600HDR350-54	1998	1067 ⁷	636 ⁷	402 ⁶	169 ⁶	62 ^d	3 ^c
600HDR300-68	2145	1158 ⁷	702 ⁶	453 ⁶	207 ⁶	93 ^{6d}	30 ^c
600HDR450-68	4118	2230	1356 ⁷	881 ⁶	409 ⁶	190 ^{6e}	72 ^d
800HDR200-43	425	222	127	76	25	1 ^d	
800HDR250-43	614	321	185	112	38	5 ^d	
800HDR300-54	1641	892 ⁷	545 ⁶	357 ⁶	170 ⁶	83 ⁶	36 ^{7d}
800HDR350-54	2110	1147 ⁷	701 ⁷	459 ⁶	218 ⁶	106 ⁶	46 ^{7d}
800HDR300-68	2266	1242 ⁷	768 ⁶	511 ⁶	255 ⁶	136 ⁶	72 ^{6d}
800HDR450-68	4349	2389	1481 ⁷	988 ⁶	498 ⁶	271 ⁶	148 ^{6e}

400 lb/ft Lateral Load							
Section	3'	4'	5'	6'	8'	10'	12'
362HDR200-33	123	2 ^e					
362HDR200-43	237	65					
362HDR250-43	367	114					
362HDR300-54	1206	559	260 ^e	97 ^d			
362HDR350-54	1558	725	340 ^e	131 ^d			
362HDR300-68	1749	855 ⁷	442 ⁷	217 ^d			
362HDR450-68	3254	1604	840	425 ^d	13 ^c		
400HDR200-33	149	25					
400HDR200-43	269	91	9 ^d				
400HDR250-43	407	148	28 ^e				
400HDR300-54	1290	621	311	143 ^d			
400HDR350-54	1660	801	404	188 ^d			
400HDR300-68	1837	921 ⁷	497 ⁷	267 ^{7e}	38 ^c		
400HDR450-68	3428	1730	944	518	93 ^c		
600HDR200-33	230	95	32				
600HDR200-43	366	172	82	33			
600HDR250-43	535	254	125	54			
600HDR300-54	1514	792 ⁷	458 ⁷	276 ⁶	96 ^{7d}	12 ^c	
600HDR350-54	1955	1024	593 ⁷	359 ⁷	126 ^e	19 ^c	
600HDR300-68	2109	1122 ⁷	665 ⁶	417 ⁶	170 ⁶	56 ^d	
600HDR450-68	4053	2164	1290 ⁷	815 ⁷	343 ⁷	124 ^d	6 ^c
800HDR200-43	412	208	114	62	11		
800HDR250-43	595	302	167	93	20		
800HDR300-54	1618	869 ⁷	522 ⁶	334 ⁶	146 ⁶	60 ^{7e}	12 ^d
800HDR350-54	2080	1116	670 ⁷	428 ⁶	187 ⁶	76 ^{7e}	15 ^d
800HDR300-68	2242	1218 ⁷	744 ⁶	486 ⁶	230 ⁶	112 ⁶	47 ^{7d}
800HDR450-68	4305	2345	1437 ⁷	944 ⁷	454 ⁶	227 ⁶	104 ^{7d}

Vertical Deflection Limit Notes

- 1 Deflection is between L/0 & L/119
- 2 Deflection is between L/120 & L/239
- 3 Deflection is between L/240 & L/359
- 6 Deflection is between L/360 & L/599
- 7 Deflection is between L/600 & L/720
- If not noted, deflection is less than L/720

Lateral Deflection Limit Notes

- a Deflection is between L/0 & L/119
- b Deflection is between L/120 & L/239
- c Deflection is between L/240 & L/359
- d Deflection is between L/360 & L/599
- e Deflection is between L/600 & L/720
- If not noted, deflection is less than L/720